



61NT1-7



NT Series Toggle Switch, Panel stand-off feature, 1 pole step base, 3 position, Screw terminal, Standard Lever

Actual product appearance may vary.

Features

- Completely sealed switching chamber
- NEMA 3, 3R, 4, and 13
- UL recognized, File E12252, Vol. 1, Section 44
- CSA certified, File LR4442
- CE approved

Potential Applications

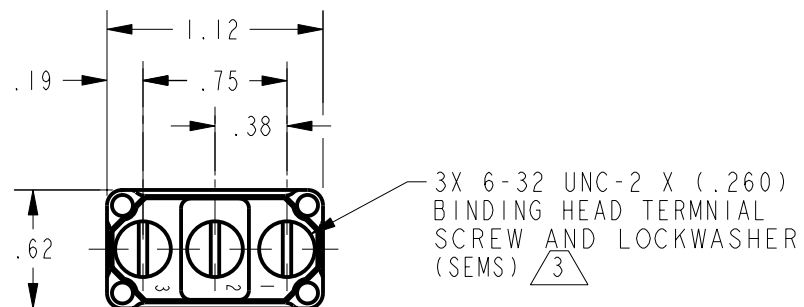
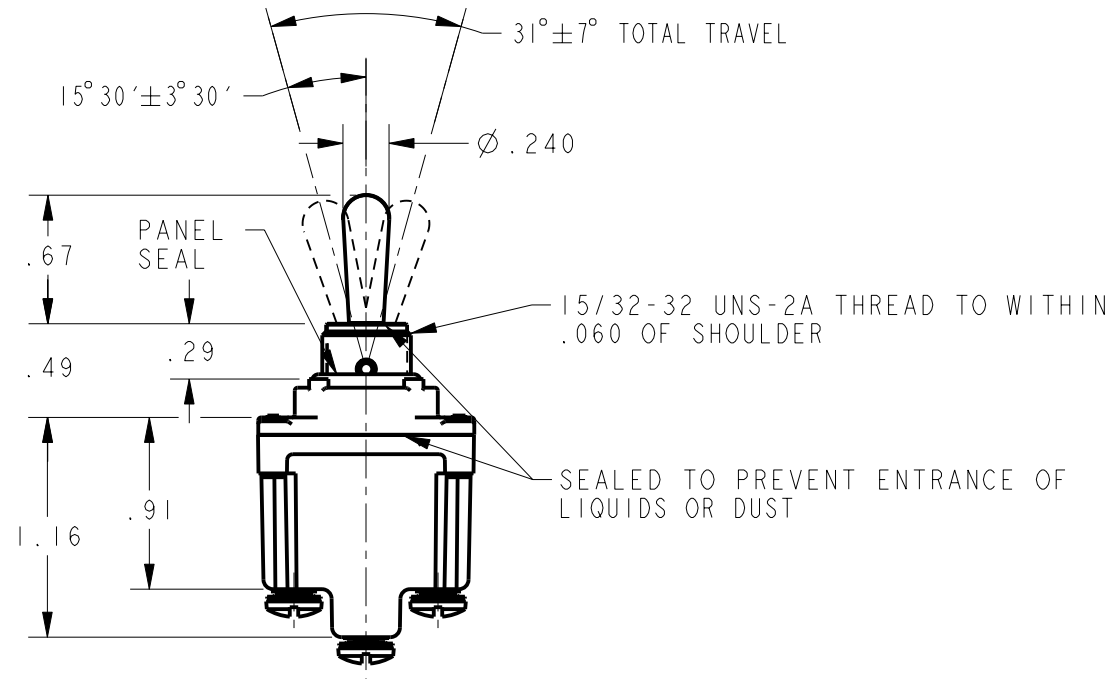
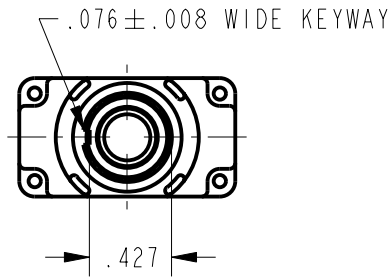
- Aerial lifts, scissor lifts, truck mounted tele-handlers, and cranes
- Construction equipment
- Agriculture equipment
- Material-handling equipment
- Factory-floor control units
- Machine tool equipment manufacturers




Description

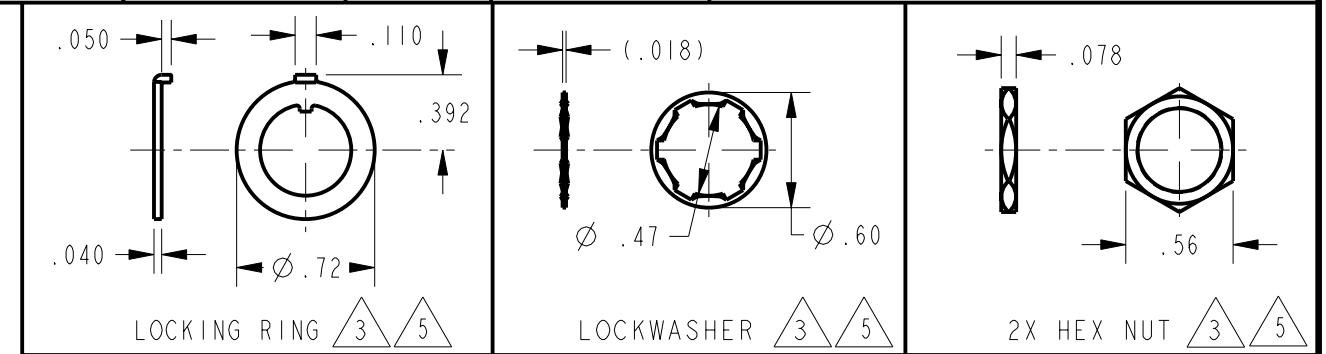
MICRO SWITCH™ NT Series toggle switches meet the need for a rugged, cost-effective toggle switch. Quality construction features include a seal between the toggle lever and bushing, and between the cover and case. These switches can be used where panels are subject to splashes, hosedowns, or outdoor environments. The "Easy-Start" threaded bushing enables quick alignment of mounting nut to decrease the chance of cross threading. The panel stand-off with O-ring feature available on some listings, eliminates the need for behind-the-panel hardware, provides uniform panel height, and provides a panel to cover seal.

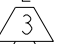
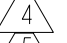
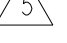
Product Specifications			
Circuitry/ Operating action	Keyway Momentary Position	Center Position	Opposite Keyway Momentary Position
Product Type	MICRO SWITCH™ Toggle Switch		

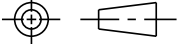
Ampere/ Voltage Range (Resistive Load)	0.5 A to 10 A at 0.5 Vac to 7 Vac,0.5 A to 15 A at 0.5 Vdc to 28 Vdc,0.5 A at 250 Vdc,0.75 A at 115 Vdc
Circuitry	SPDT
Action	3 position
Mounting	Bushing 15/32 in
Termination	Screw
Lever Type	Standard
UL/CSA Rating Code	L192: 10 A-125, 250, 277 Vac; 1/4 Hp-125 Vac; 1/2 Hp-250, 277 Vac; 3 A-125 Vac "L"
Comment	Panel stand-off feature; One-pole transportation grade toggle
Availability	Global
UNSPSC Code	30211908
UNSPSC Commodity	30211908 Toggle switches
Series Name	NT



CATALOG LISTING	CIRCUIT MADE WITH TOGGLE LEVER IN 			ELECTRICAL DATA
	KEYWAY SIDE (1-2)	CENTER (1-2)	OPPOSITE KEYWAY (2-3)	
61NT1-1	ON	OFF	ON	L191 15A 125, 250, 277 VAC 1/2HP 125 VAC 1HP 250, 277 VAC 5A 125 VAC "L" 
61NT1-2	OFF	NONE	ON	
61NT1-3	ON	NONE	ON	
61NT1-6	MOM ON	NONE	OFF	L192 10A 125, 250, 277 VAC 1/4HP 125 VAC 1/2HP 250, 277 VAC 3A 125 VAC "L" 
61NT1-7	MOM ON	OFF	MOM ON	
61NT1-8	MOM ON	NONE	ON	



- NOTES
1 - SWITCH WILL WITHSTAND TEMPERATURE OF 160°F CONTINUOUSLY AT FULL RATED LOAD
2 - MICRO SWITCH CAT. LIST. MARKED ON SIDE OF SWITCH
 FURNISHED UNASSEMBLED
 APPLIES ONLY TO "ON" AND "MOMENTARY ON" POSITIONS
 NH SUFFIX MUST BE ADDED TO SPECIFY NO HARDWARE (EX INTI-1-NH)

THIRD ANGLE PROJECTION 

SCALE FULL

DO NOT SCALE PRINT

UNLESS OTHERWISE SPECIFIED TOLERANCES ARE

ONE PLACE (.0)	±.030
TWO PLACE (.00)	±.015
THREE PLACE (.000)	±.005
ANGLES	±

WEIGHT .07 LB APPROX

CATALOG LISTING
61NT1 SERIES CHART 1
PAGE 1 OF 1

ISSUE
2

REVISIONS
A 207702
S A V
19 MAR 03

PTC/CAD 2D
DRAWN
TSM 5 FEB 03

REPLACES -
RELEASE NO. 207366
CHECK
CHECK
CHECK
CHECK
CHECK
CHECK
CHECK